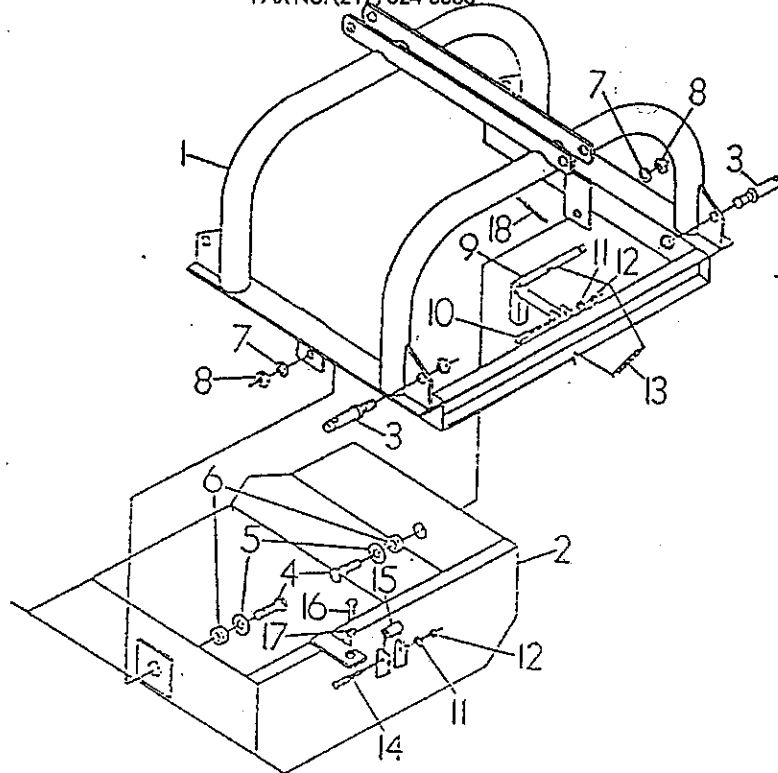




WORKSAVER, INC.

P.O. Box 1000, Litchfield, Illinois 62056
(217) 324-5973

FAX No. (217) 324-3356



S-1030 SCOOP

REF. NO.	PART NO.	DESCRIPTION	NO. REQ'D.
1	-----	Main Frame	1
2	-----	Scoop	1
3	590108	Cat. I Lift Pin (AK-578)	2
4	2503021	Bolt 3/4" - 10NC X 2 1/2" Hex Head	2
5	2501002	Flatwasher 3/4"	2
6	312003	Pivot Bushing 1 1/4"O.D. X 3/4" I.D. X 1/2"	2
7	2502001	Washer 3/4" Spring Lock	2
8	2500002	Nut 3/4" - 10NC Full Hex	2
9	312001	Trip Latch	1
10	-----	Bolt 7/16" - 14NC X 2 1/2" Hex Head	1
11	2502006	Washer 7/16" Spring Lock	2
12	2500012	Nut 7/16" - 14NC Full Hex	2
13	312002	Extension Spring	1
14	-----	Bolt 7/16" - 14NC X 3 1/4" Hex Head	1
15	312004	Latch Roller 3/4" O.D. X 1/2" I.D. X 1 1/2"	1
16	2503004	Bolt 1/2" - 13NC X 1 1/2" Hex Head	1
17	2500050	Nut 1/2" - 13NC Hex Jam Nylock	1
18	311029	Rope 5/16" Braided Sisal (10Ft.)	1